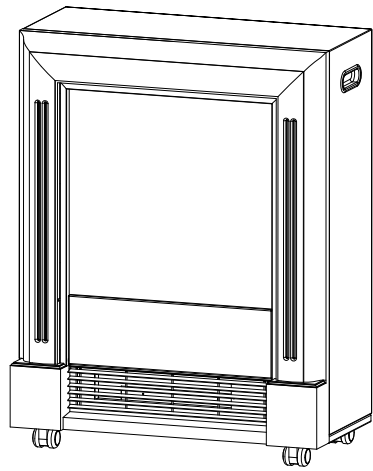
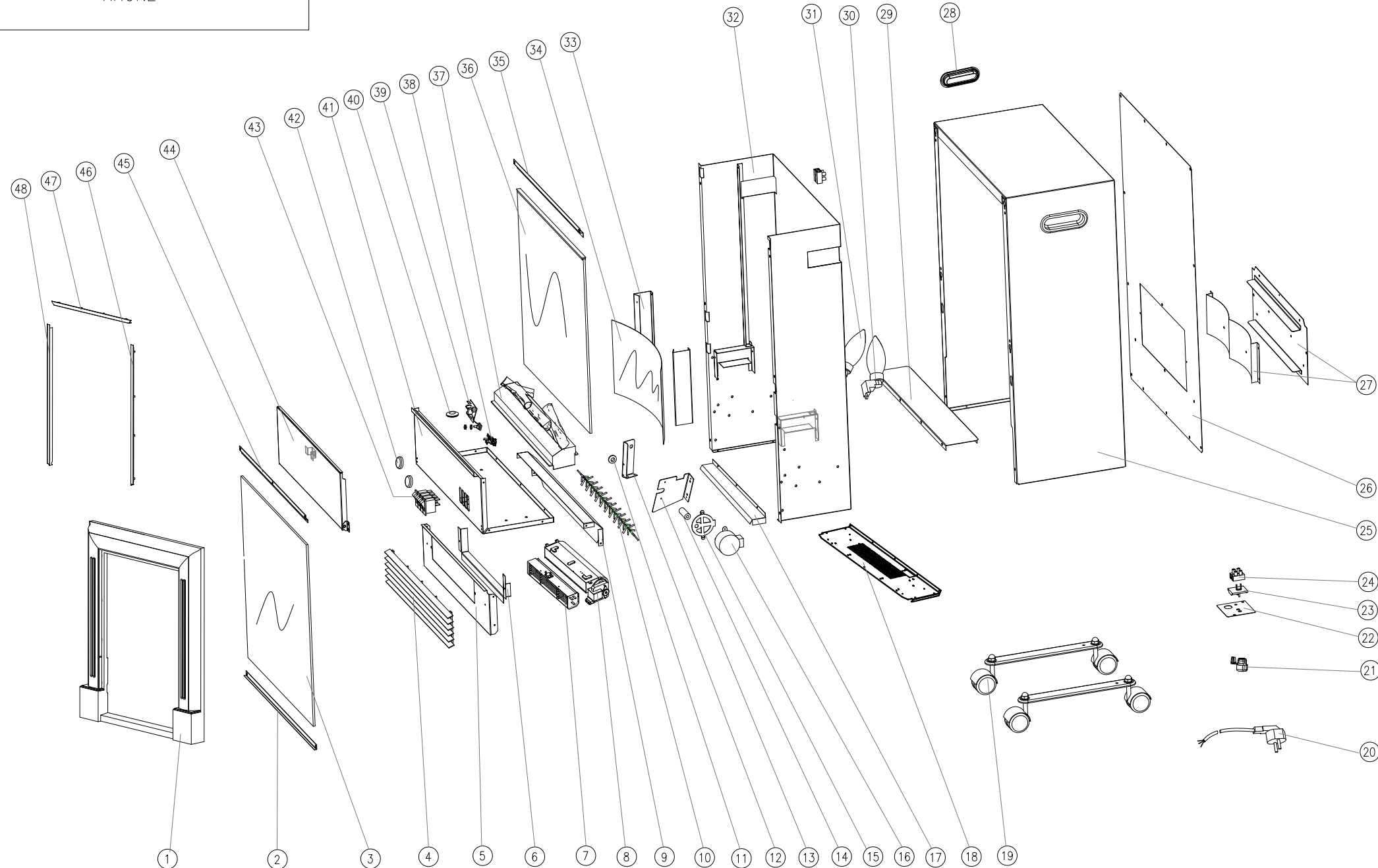
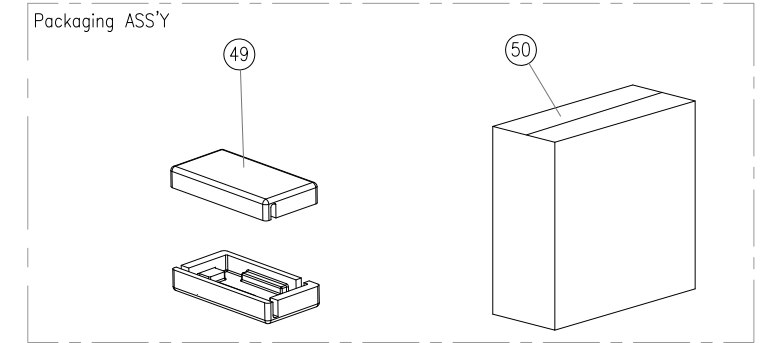


NO.	REVISION	DATE	By
00	RELEASED FOR PRODUCTION	Jun 10/11	Sean
01	#8 PART NO. CHANGE FOR METAL FAN IMPELLOR	May 22/12	Merlin



RHONE



No.	PART NUMBER	REF. ITEM DESCRIPTION	名称	SPEC. (规格)	QTY.
50	280102003004	Color box: 5011139109217	AJ30R颜色盒5011139109217	62.5*33*80cm	1
49	28100003019	EPS SET	AJ30L-RC泡沫架	EPS(255g)	1
48	315006005002	Trim LH	AJ30R左侧装饰条	Brass T=0.5	1
47	315006005001	Trim Top	AJ30R上侧装饰条	Brass T=0.5	1
46	315006005003	Trim RH	AJ30R右侧装饰条	Brass T=0.5	1
45	331802001	Front glass top bracket	AJ30L-RC前板上盖条	GPMS,texture black powder coated	1
44	342113001	Control panel	AJ30L-RC控制面板	GPMS,texture silver powder coated	1
43	210202001	Reset Switch	重置开关	Soken 16(6)A 250Vac T100	4
42	230202001	Knob	AJ30L-RC旋钮	ABS, Silver print	2
41	350602004	Switch panel	AJ30R开关及旋钮面板	GPMS,texture black powder coated	1
40	23190901012	φ12 grommet	φ12冲眼圈	Rubber	3
39	21080124001	Light dimmer PCB	AJ30L-RC调光板	250W 240VAC	1
38	210602250002	Thermostat	可调式温控器	QX201 T-180 10A/250Vac 90	1
37	44000030001	Log set	AJ30L-RC调光器	PP	1
36	270300012	Mirror glass ASSY	AJ30L-RC镜子		1
35	331802003	Mirror glass bracket	AJ30L-RC镜子底座	GPMS,texture black powder coated	1
34	23260200001	Flame reflector panel	AJ35BA面板	PP,Black	1
33	330702001	Reflector fixing bracket	AJ30L-RC火焰反射器固定架	GPMS,texture black powder coated	2
32	341502001	Chassis	AJ30L-RC内胆	GPMS,texture black powder coated	1
31	21030124006002	Blub	60W E14 GE 卤素灯泡	E14 230/240V 60W GE	3
30	2104250001	Lamp Holder	E14灯座	FEJD-1 2A 250Vac 135T PBT	2
29	331102002	Back light baffle	AJ30L-RC背光板	GPMS,texture black powder coated	1
28	2303070002	Handle	AJ30L-RC把手	ABS, black paint	2
27	340502002	Lamp cover Assy	AJ30L-RC灯罩及灯罩固定架	GPMS,texture black powder coated	1
26	33102002	Rear panel	AJ30L-RC后面板	GPMS,texture black powder coated	1
25	330202001	Metal wrap	AJ30L-RC壳体	GPMS,texture black powder coated	1
24	2110030121	Terminal block	白色接线柱	PA12 500V	2
23	23172202002	Terminal block plastic clip	接线柱塑料卡扣	PP, White	1
22	331702001	Terminal bracket	AJ30L-RC接线柱固定架	GPMS,texture black powder coated	1
21	23120101003	Power cord anchor	电源线卡扣	PA Block	1
20	250101205023	EU plug and cord set	AJ30L电源线	3618mm2 2.05M 105V V-F 500V/105 1A/250V VDE	1
19	235201000001	Wheel ASSY	AJ30L-RC脚轮及脚轮架		2
18	330102001	Bottom panel	AJ30R底座	GPMS,texture black powder coated	1
17	331102003	Front light baffle	AJ30L-RC前板	GPMS,texture black powder coated	1
16	210102230101	Gear motor	AJ30L-RC电机及电机架	DB02-5W 230Vac 50Hz 10RPM CW	1
15	232109010001	Gear motor rubber PAD	同步电机减震垫	Silicon Rubber	1
14	232209010001	Rotisserie rubber coupling	同步电机联轴器	Silicon Rubber	1
13	330502007	Gear motor bracket	AJ30L-RC同步电机固定架	GPMS,texture black powder coated	1
12	330502005	Rotisserie bracket	AJ30L-RC旋转架固定架	GPMS,texture black powder coated	1
11	23190901008	Rotisserie rubber grommet	φ8冲眼圈	Rubber	1
10	450100001	Rotisserie	AJ30L-RC旋转架		1
09	332802001	Terminal cover	AJ30L-RC接线柱盖	GPMS,texture black powder coated	1
08	420100010	Blower Motor ASSY-metal impellor	SF55992RC-230V金属风扇	FEJ-A CLB 14W 230VAC 50Hz/240mm	1
07	430118007	Element cutout ASSY	AJ30L-RC熔断器	900+900W 240V/KSD 301 250V 10A 81°	1
06	331002001	Air baffle	AJ30L-RC风罩	GPMS,texture black powder coated	1
05	330602005	Grille fixing panel	AJ30L-RC格栅固定架	GPMS,texture black powder coated	1
04	340602009	Grille	AJ30L-RC格栅	GPMS,texture black powder coated	1
03	270202002	Front glass	AJ30L-RC前板	Clear,toughen	1
02	331802002	Front glass bottom bracket	AJ30L-RC前板下盖条	GPMS,texture black powder coated	1
01	23010706001	RHONE Plastic Front	AJ30R面板	ABS+Black Paint,texture surface	1

UNLESS OTHERWISE SPECIFIED
 ALL DIM IN INCHES.
 DO NOT SCALE.
 FIN IS FOR REFERENCE ONLY.
 TOLERANCES: .XXX ±
 .XX ±
 .X ±
 HOLES: ±
 FRACT. ±
 ANGLES ±

THIS SYMBOL REPRESENTS A CONTROL DIMENSION.
 TO BE A GOOD INDICATOR OF WHETHER A MANUFACTURING PROCESS IS IN CONTROL, THESE DIM. MUST HAVE A MIN. Cpk OF 1.33 FOR A SAMPLE OF 31 CONSECUTIVE PIECES.

MATERIAL
 FINISH
 WHERE USED

DR BY SEAN 10/JUN/11
 CHK'D MERLIN 17/JUN/11

SCALE NTS DATE

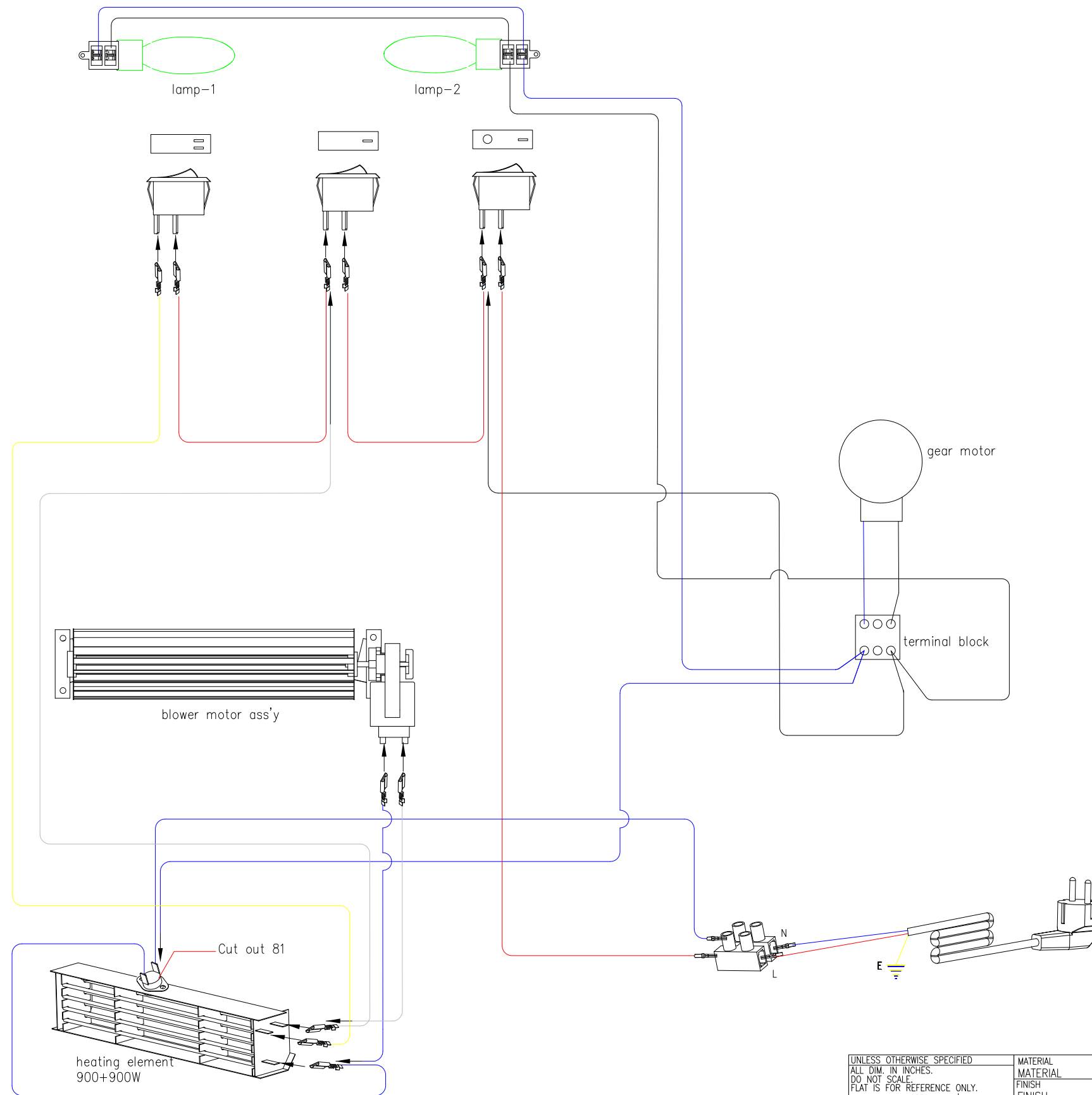
TITLE
 RHONE exploding drawing
 (AJ30R)爆炸图

REV
 01

RNE20 SHEET 10F2 SIZE X

5011139109217

NO.	REVISION	DATE	By
00	RELEASED FOR PRODUCTION	Jun 10/11	Sean



UNLESS OTHERWISE SPECIFIED ALL DIM. IN INCHES. DO NOT SCALE. FLAT IS FOR REFERENCE ONLY. TOLERANCES: .XXX ± .XX ± .X ± HOLES: ± FRACT. ± ANGLES ±		MATERIAL FINISH WHERE USED		TITLE RHONE wiring diagram drawing (AJ30R 电路联接图)		REV 00	
C THIS SYMBOL REPRESENTS A CONTROL DIMENSION. CONTROL DIMENSIONS ARE CONSIDERED TO BE A GOOD INDICATOR OF WHETHER A MANUFACTURING PROCESS IS IN CONTROL. THESE DIM. MUST HAVE A MIN Cpk OF 1.33 FOR A SAMPLE OF 31 CONSECUTIVE PIECES.		DR BY SEAN	10/JUN/11	RNE20	SHEET 20F2	SIZE X	5011139109217
		CHK'D MERLIN	17/JUN/11				
		SCALE NTS	DATE				

This drawing, and the design of the article represented herein, are the exclusive property of Gen Dimplex and are provided strictly on a confidential basis. The drawing and design shall be used only for the purposes for which they have been provided and shall not be produced, reproduced, altered, used, published or disclosed to others without the prior written consent of Gen Dimplex.